

4

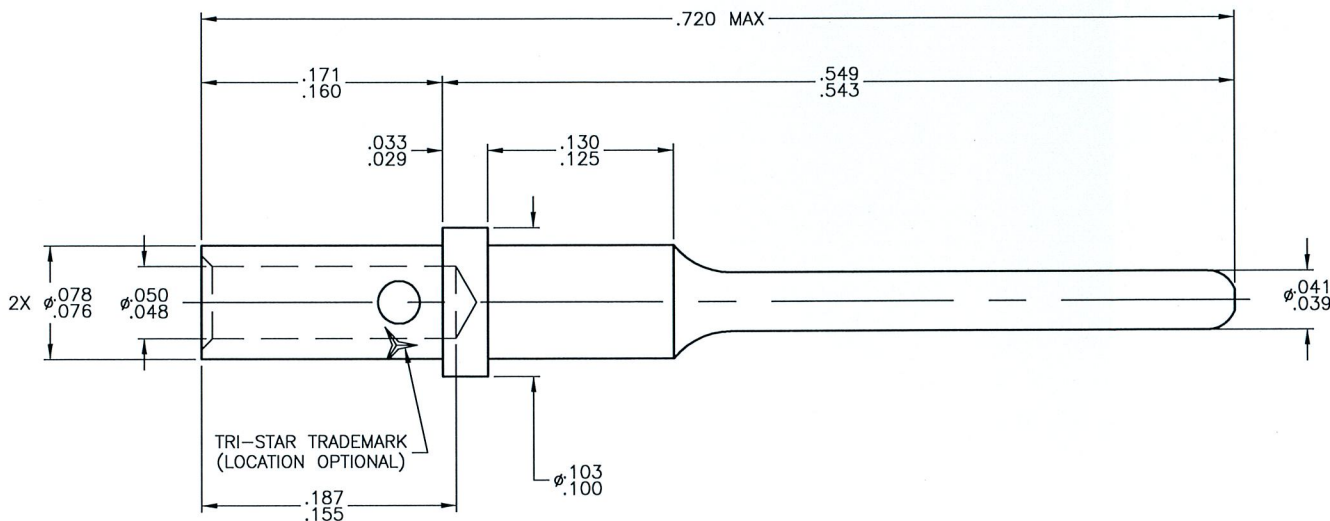
3

2

REV A SH 1 DWO NO. D19-2020-A0988

THIS DOCUMENT CONTAINS PROPRIETARY INFORMATION AND EXCEPT WITH WRITTEN PERMISSION OF TRI-STAR ELECTRONICS INT'L, INC., SUCH INFORMATION SHALL NOT BE PUBLISHED, OR DISCLOSED TO OTHERS, OR USED FOR ANY PURPOSE, AND THE DOCUMENT SHALL NOT BE DUPLICATED IN WHOLE OR IN PART.

REVISIONS				
ZONE	LTR	DESCRIPTION	DATE	APPD
	NC	NEW RELEASE PER E.O. 21068	7/11/11	LBO
	A	REVISED PER E.O. 21718	9/10/12	JK



4. CRIMP TOOL DATA:  
 BASIC CRIMP TOOL - M22520/1-01  
 POSITIONER - M22520/1-02 RED
3. FINISH: GOLD PLATE PER MIL-DTL-45204 OVER  
 NICKEL PLATE PER SAE-AMS-QQ-N-290
2. MATERIAL: SUITABLE COPPER ALLOY PER AS39029.
1. www.tri-starelectronics.com

NOTES: (UNLESS OTHERWISE SPECIFIED)

SALES DRAWING

APPLICATION	USED ON

QTY	FROM	PART OR	NOMENCLATURE	MATERIAL	ITEM																																																				
REQD	INV	EXPLIFIED	OR DESCRIPTION	DESCRIPTION	NO.																																																				
PARTS LIST																																																									
UNLESS OTHERWISE SPECIFIED DIMENSIONS ARE IN INCHES.																																																									
TOLERANCES ARE:																																																									
ANGLES	.XX	.XXX																																																							
	±.01	±.005																																																							
	±.30'																																																								
DO NOT SCALE DRAWING																																																									
MATERIAL	TREATMENT	FINISH																																																							
3																																																									
<table border="0" style="width: 100%;"> <tr> <td colspan="2">CONTRACT NO.</td> <td colspan="4" rowspan="2" style="text-align: center; vertical-align: middle;"> <b>TRI-STAR ELECTRONICS INT'L, INC.</b>            2201 ROSECRANS AVENUE, EL SEGUNDO, CA 90245         </td> </tr> <tr> <td colspan="2">RATING</td> </tr> <tr> <td colspan="2">APPROVALS</td> <td colspan="2">DATE</td> <td colspan="2">DWO TITLE</td> </tr> <tr> <td colspan="2">DRAWN: F.R.</td> <td colspan="2">7-8-11</td> <td colspan="2" rowspan="3" style="text-align: center;">           CONTACT, ELECTRICAL CONNECTOR            PIN, CRIMP REMOVABLE, #20         </td> </tr> <tr> <td colspan="2">CHECKED: H. LE</td> <td colspan="2">7-11-11</td> </tr> <tr> <td colspan="2">APPROVED: LBO</td> <td colspan="2">7-11-11</td> </tr> <tr> <td colspan="2">REF:</td> <td>SIZE</td> <td>CAGE CODE</td> <td>DWO NO.</td> <td>REV</td> </tr> <tr> <td colspan="2"></td> <td>A</td> <td>55104</td> <td>D19-2020-A0988</td> <td>A</td> </tr> <tr> <td colspan="2"></td> <td>SCALE:</td> <td>CAD NO:</td> <td>SHEET 1</td> <td>OF 1</td> </tr> <tr> <td colspan="2"></td> <td></td> <td>8X-</td> <td></td> <td></td> </tr> </table>						CONTRACT NO.		<b>TRI-STAR ELECTRONICS INT'L, INC.</b> 2201 ROSECRANS AVENUE, EL SEGUNDO, CA 90245				RATING		APPROVALS		DATE		DWO TITLE		DRAWN: F.R.		7-8-11		CONTACT, ELECTRICAL CONNECTOR PIN, CRIMP REMOVABLE, #20		CHECKED: H. LE		7-11-11		APPROVED: LBO		7-11-11		REF:		SIZE	CAGE CODE	DWO NO.	REV			A	55104	D19-2020-A0988	A			SCALE:	CAD NO:	SHEET 1	OF 1				8X-		
CONTRACT NO.		<b>TRI-STAR ELECTRONICS INT'L, INC.</b> 2201 ROSECRANS AVENUE, EL SEGUNDO, CA 90245																																																							
RATING																																																									
APPROVALS		DATE		DWO TITLE																																																					
DRAWN: F.R.		7-8-11		CONTACT, ELECTRICAL CONNECTOR PIN, CRIMP REMOVABLE, #20																																																					
CHECKED: H. LE		7-11-11																																																							
APPROVED: LBO		7-11-11																																																							
REF:		SIZE	CAGE CODE	DWO NO.	REV																																																				
		A	55104	D19-2020-A0988	A																																																				
		SCALE:	CAD NO:	SHEET 1	OF 1																																																				
			8X-																																																						

4

3

2

1