

THE INFORMATION CONTAINED HEREIN IS PROPRIETARY TO CARLISLE, INC. AND SHALL IN NO WAY BE REPRODUCED OR DISCLOSED IN WHOLE OR IN PART OR USED FOR ANY DESIGN OR MANUFACTURE EXCEPT WHEN SUCH USER POSSESSES DIRECT, WRITTEN AUTHORIZATION FROM CARLISLE, INC.

REVISION HISTORY			
REV	DESCRIPTION	DATE	APPD
G	REVISED PER E.O. 23563	3/1/16	F.R.
H	REVISED PER E.O. 24038	2/2/17	ZW

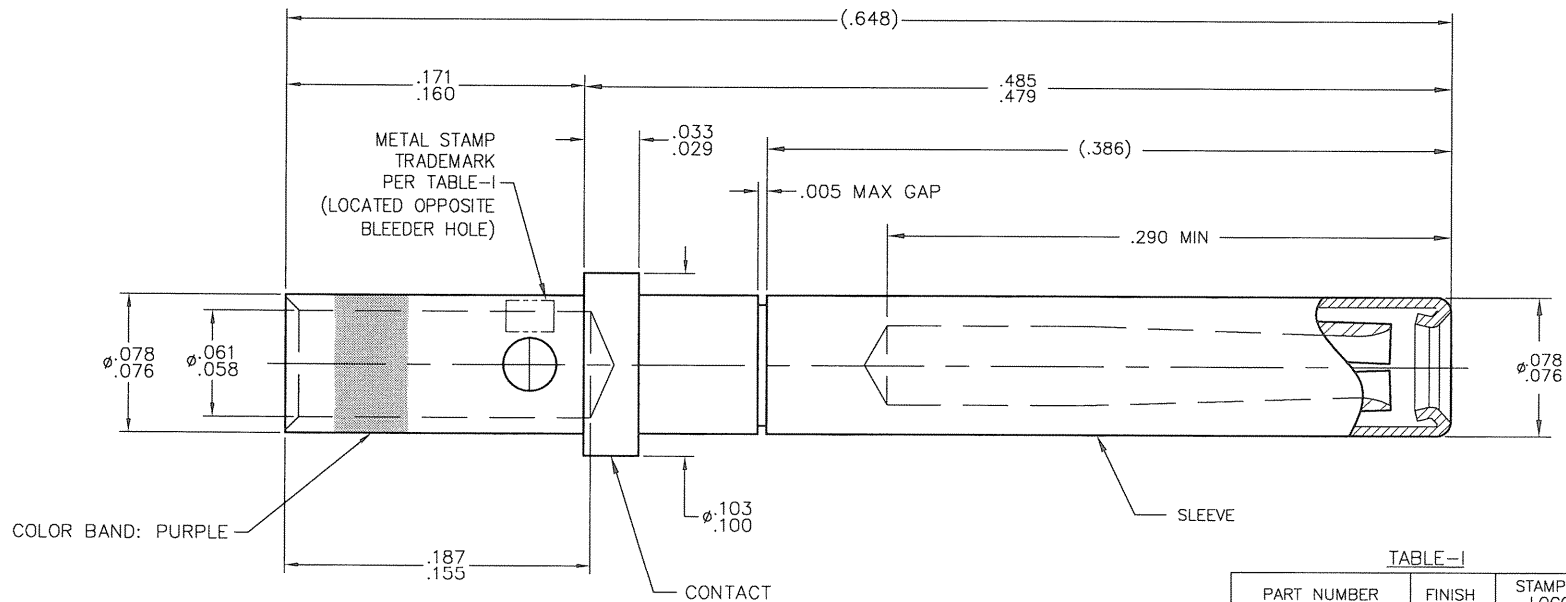


TABLE-1

PART NUMBER	FINISH	STAMPED LOGO
DCD-2016-A0988	3	
CCD-2016-A0988	4	
C1D-2016-A0988		

SALES DRAWING

6. CRIMP TOOL DATA:
 BASIC CRIMP TOOL - M22520/1-01
 POSITIONER - M22520/1-02 RED
 SELECTOR SETTING - 16 AWG: #4, 18 AWG: #3

5. ENGAGEMENT/SEPARATION FORCES PER AS39029.

4 FINISH: NICKEL PLATE PER AMS-QQ-N-290.

3 FINISH: GOLD PLATE PER MIL-DTL-45204 OVER NICKEL PLATE PER AMS-QQ-N-290.

2 MATERIAL: CONTACT: SUITABLE COPPER ALLOY PER AS39029. SLEEVE: STAINLESS STEEL, PASSIVATED

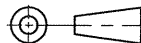
1. www.carlisleit.com

NOTES: (UNLESS OTHERWISE SPECIFIED)

DIMENSIONING AND TOLERANCING SHALL BE INTERPRETED PER ASME Y14.5M-1994. DIMENSIONS ARE IN INCHES/MILLIMETERS ±TOLERANCES UNLESS OTHERWISE NOTED

.X	.XX	.XXX	ANGLE
±.1	±.01	±.005	±.30'

THIRD ANGLE PROJECTION



MATERIAL:	FINISH:	TREATMENT:	REF:
2	3 4	--	

NAME	DATE
DRAWN: C.P.	8/24/11
CHECKED: LBO	10/4/11
APPROVED: C.P.	10/4/11



2201 ROSECRANS AVENUE, EL SEQUENDO, CA 90245

DWG TITLE
 CONTACT, ELECTRICAL, CONNECTOR SOCKET, CRIMP REMOVABLE, #2016

SIZE	CAGE CODE	CARLISLE NUMBER	REV.
A	55104	**D-2016-A0988	H
SCALE 8X-		DO NOT SCALE DWG	SHEET 1 OF 1