

4

3

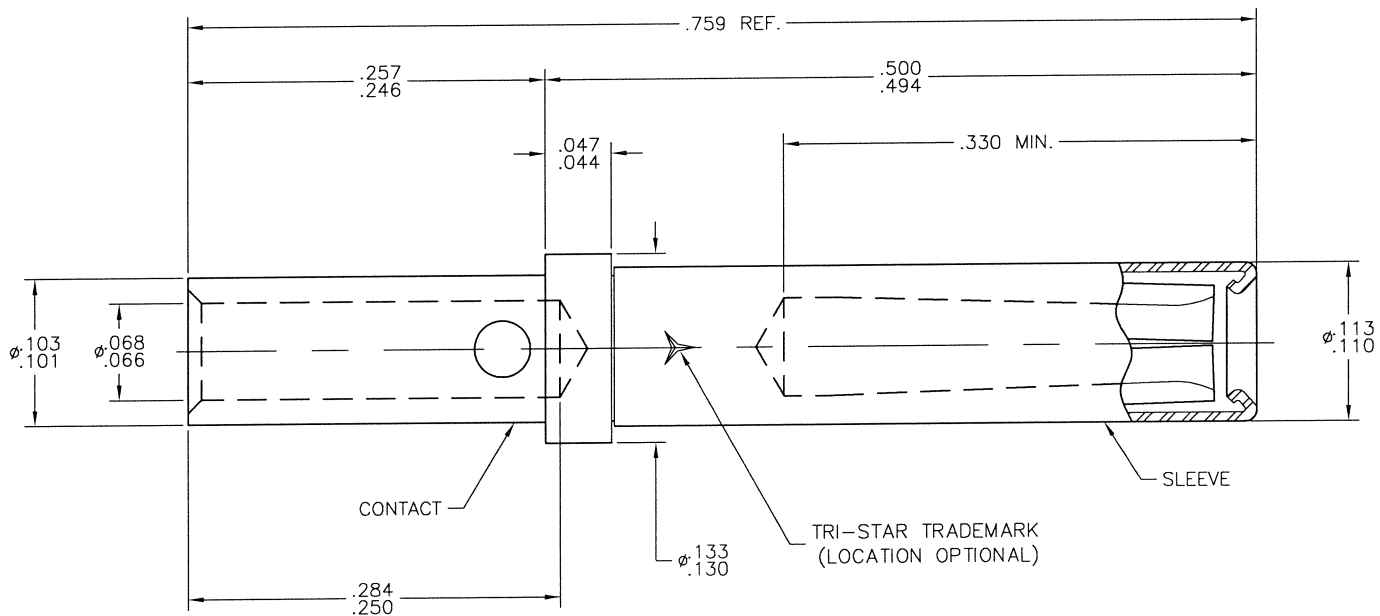
2

REV A SH 1 DWG NO. C10-1616-089-1

THIS DOCUMENT CONTAINS PROPRIETARY INFORMATION AND EXCEPT WITH WRITTEN PERMISSION OF TRI-STAR ELECTRONICS INT'L, INC., SUCH INFORMATION SHALL NOT BE PUBLISHED, OR DISCLOSED TO OTHERS, OR USED FOR ANY PURPOSE, AND THE DOCUMENT SHALL NOT BE DUPLICATED IN WHOLE OR IN PART.

## REVISIONS

ZONE	LTR	DESCRIPTION	DATE	APPD
	NC	NEW RELEASE PER E.O. 20967	5/23/11	H. LE
	A	REVISED PER E.O. 23449	11/30/15	Z



5. CRIMP TOOL DATA:  
BASIC CRIMPING TOOL M22520/1-01  
POSITIONER M22520/1-02 BLUE

4. ENGAGEMENT/SEPARATION FORCES PER AS39029.

3 FINISH: CONTACT-  
BRIGHT NICKEL PLATE PER AMS-QQ-N-290 .000100-.000200 THK.  
OVER COPPER FLASH PER AMS-2418.

2 MATERIAL. CONTACT: SUITABLE COPPER ALLOY PER AS39029.  
SLEEVE: STAINLESS STEEL, PASSIVATED

1. www.carlisleit.com

NOTES: (UNLESS OTHERWISE SPECIFIED)

## SALES DRAWING

QTY REQD	FSCM NO.	PART OR IDENTIFYING NO.	NOMENCLATURE OR DESCRIPTION	MATERIAL SPECIFICATION	ITEM NO.
PARTS LIST					
UNLESS OTHERWISE SPECIFIED DIMENSIONS ARE IN INCHES. TOLERANCES ARE:		CONTRACT NO.			
ANGLES ±30' .XX ±.01 .XXX ±.005		RATING: /			
DO NOT SCALE DRAWING		TRI-STAR ELECTRONICS INT'L, INC. 2201 ROSECRANS AVENUE, EL SEGUNDO, CA 90245			
MATERIAL: 2	TREATMENT: /	FINISH: 3	DWG TITLE		
			CONTACT, ELECTRICAL CONNECTOR SOCKET, CRIMP REMOVABLE, SIZE 16		
APPROVALS		DATE			
DRAWN: F.R.		5/16/11			
CHECKED: M.Q.		5/23/11			
APPROVED: H. LE		5/23/11			
APPROVED: /					
REF:	APPLICATION	SIZE	CAGE CODE	DWG NO.	REV
		A	55104	C10-1616-089-1	A
		SCALE: NONE	CAD NO: 2X-	SHEET 1 OF 1	