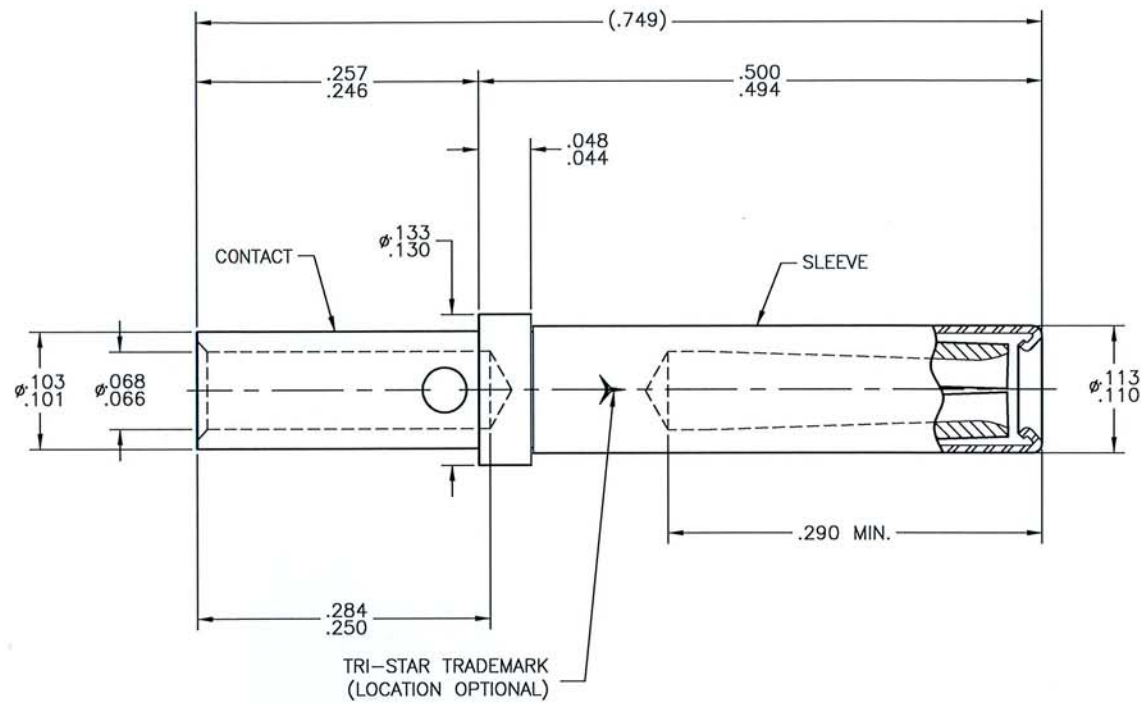


THIS DOCUMENT CONTAINS PROPRIETARY INFORMATION AND EXCEPT WITH WRITTEN PERMISSION OF TRI-STAR ELECTRONICS INT'L, INC., SUCH INFORMATION SHALL NOT BE PUBLISHED, OR DISCLOSED TO OTHERS, OR USED FOR ANY PURPOSE, AND THE DOCUMENT SHALL NOT BE DUPLICATED IN WHOLE OR IN PART.

REVISIONS				
ZONE	LTR	DESCRIPTION	DATE	APPD
	NC	NEW RELEASE PER E.O. 21800	9/11/12	JK



- 5. CRIMP TOOL DATA:
BASIC CRIMP TOOL - M22520/1-01.
POSITIONER - M22520/1-02 BLUE.
- 4. ENGAGEMENT AND SEPARATION FORCES AS39029.

- 3. FINISH: CONTACT - GOLD PLATE PER MIL-DTL-45204 OVER NICKEL PLATE PER SAE-AMS-QQ-N-290
- 2. MATERIAL:
CONTACT - SUITABLE COPPER ALLOY PER AS39029.
SLEEVE - STAINLESS STEEL, PASSIVATED.

1. www.tri-starelectronics.com

NOTES: (UNLESS OTHERWISE SPECIFIED)

SALES DRAWING

QTY	FROM NO.	PART OR IDENTIFYING NO.	NOMENCLATURE OR DESCRIPTION	MATERIAL SPECIFICATION	ITEM NO.
			PARTS LIST		
UNLESS OTHERWISE SPECIFIED DIMENSIONS ARE IN INCHES. TOLERANCES ARE:		CONTRACT NO.			
ANGLES	.XX ±.30'	.XX ±.01	.XXX ±.005	RATING:	
DO NOT SCALE DRAWING					
MATERIAL:	TREATMENT:	FINISH:	APPROVALS		
2		3	DATE		
REF:			F.R. 9/10/12		
NEXT ASSEMBLY			CHECKED: JK 9/10/12		
USED ON			APPROVED: JK 9/11/12		
APPLICATION			APPROVED:		

QTY	FROM NO.	PART OR IDENTIFYING NO.	NOMENCLATURE OR DESCRIPTION	MATERIAL SPECIFICATION	ITEM NO.
PARTS LIST					
UNLESS OTHERWISE SPECIFIED DIMENSIONS ARE IN INCHES. TOLERANCES ARE:					
ANGLES		.XX ±.30'	.XX ±.01	.XXX ±.005	RATING:
DO NOT SCALE DRAWING					
MATERIAL:	TREATMENT:	FINISH:	APPROVALS		
2		3	DATE		
REF:			F.R. 9/10/12		
NEXT ASSEMBLY			CHECKED: JK 9/10/12		
USED ON			APPROVED: JK 9/11/12		
APPLICATION			APPROVED:		

TRI-STAR ELECTRONICS INT'L, INC.
2201 ROSECRANS AVENUE, EL SEGUNDO, CA 90245

DWG TITLE: CONTACT, ELECTRICAL CONNECTOR SOCKET, CRIMP REMOVABLE, #16-16

SCALE: NONE CAD NO: 6.25X- SHEET 1 OF 1